

PALOMAR

Secure Software Defined Intercommunication Systems



Secure



Digital Architecture



VoIP



Dependable

Key Features

- ◆ High Speed State-of-the-Art Digital Architecture
- ◆ Secure Digital Switch with Isolated Multi-Level Security
- ◆ Digital Voice and Wideband Switching
- ◆ Crypto Switching and Radio Relay
- ◆ Gigabit Ethernet Fiber LAN/IO
- ◆ VoIP Ports (Optional)
- ◆ Extensive Interphone Conferencing
- ◆ Telephone Switching Functions (PBX) (Optional)
- ◆ Up to 2000 Voice/Data Sources
- ◆ Redundancy
- ◆ Red to Black Greater than 100 dB at 1kHz
- ◆ Designed to RTCA/DO160D
- ◆ Tested to MIL-STD-810D
- ◆ MIL-STD-461
- ◆ NSTISSAM 1-92
- ◆ NSTISSAM / TEMPEST 2-95

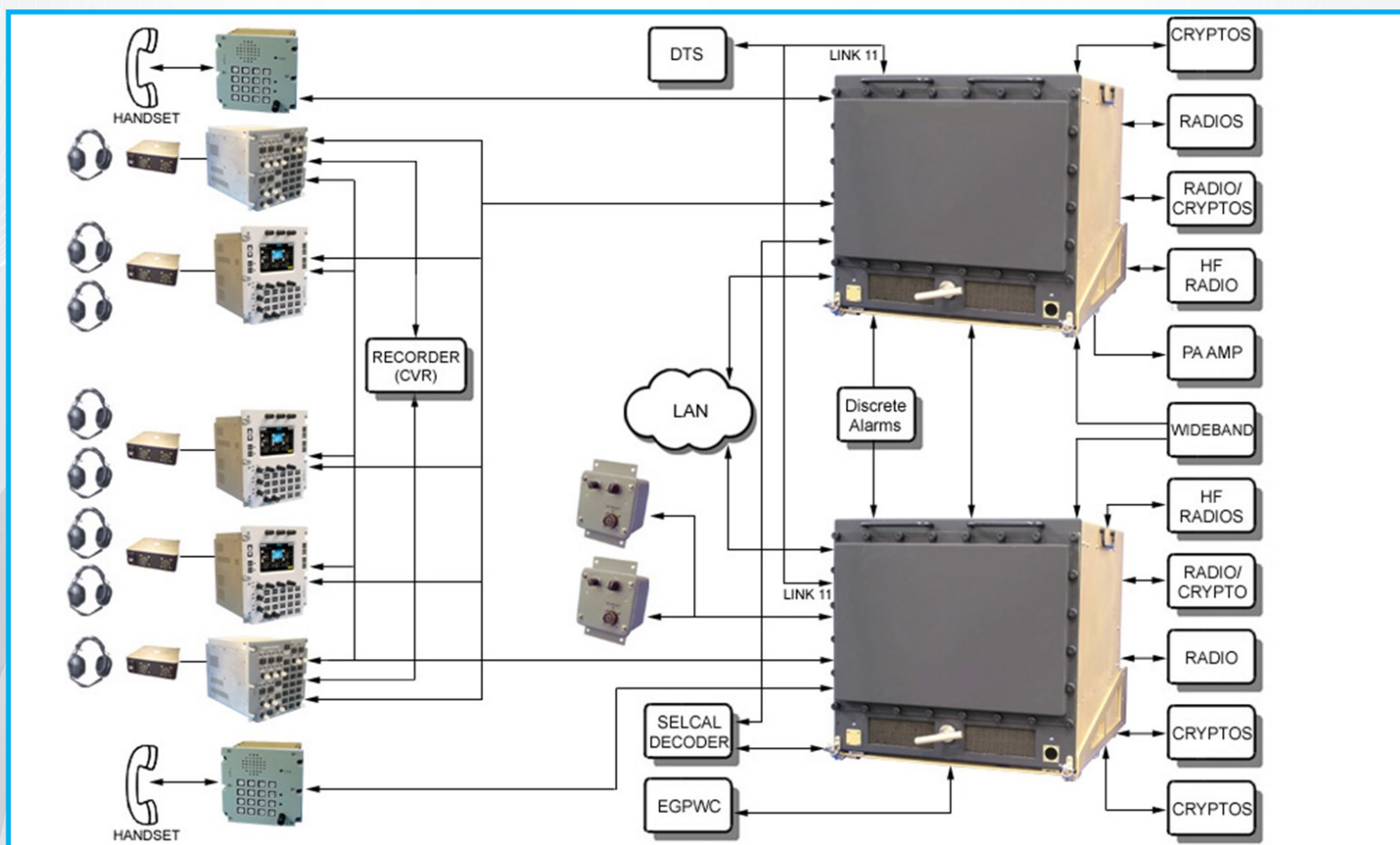


SCS 2.0 Large Digital



Palomar Systems - Safe & Secure

SCS 2.0 provides a complete solution for systems demanding high quality secure digital voice/data switching and conferencing with combined system management. The flexible and modular SCS 2.0 architecture can be scaled from simple internal/external communication systems up to full command and control systems that include crypto and data link assignments, clear/secure radio relay, clear/secure simulcast, unlimited conference networks and selective dial-up.



Palomar Products, Inc.

23042 Arroyo Vista

Rancho Santa Margarita, CA
92688

949-766-5300

